

Smooth as a baby's skin



Bead and crevice-free

pipng systems from Georg Fischer.

GEORG FISCHER +GF+

**Your products satisfy high demands –
You can expect the same from us**



Life science / Biotech / Medical



Food industry



Chemical processes



Semiconductors



You need the best possible solution for conveying your media...

Local, professional project and after-sales service

Your work actually only begins after the purchase.

Customer training

Use our know-how.

We are glad to share it with you.

Top-level training for fusion, maintenance, installation and quality control.



Professional jointing technology

So that your piping system does not have any weak spots.



GEORG FISCHER

Prefabricated modules

Your wish is our command, realized by local sales companies.



Special components

If you want more than just standard.



Measurement and control

You control your processes – our products are here to help.

Project and application support

Your requirements are our motivation.



Planning

As easy and as safe as possible from the very beginning.



Pipes

A wealth of experience in extrusion guarantees highest precision.



Fittings

State-of-the-art injection molding provides maximum quality and safety.



Valves

Market-conform innovation warrants solutions which meet your expectations.



... everything from one source.

CHER +GF+

Reliability in sensitive areas

Referenes

- Cilag (Johnson + Johnson)
- Novartis
- Hoffmann La Roche
- Chiron
- Biomatrix
- Bristol Myers
- Boehringer
- Glaxo Inc.



You need a piping system

- for DI water
- for PW (Purified Water)
- for WFI (Wasser for Injection)
- for very pure starting materials or active ingredients
- for metal-sensitive processes
- free of corrosion effects, e.g. rouging
- which is confirm to USP, FDA, BfArM, ISPE, or CGMP

Choose the right solution

- Georg Fischer PP-n (Natural) for water pre-treatment
- SYGEF® PVDF Standard for demanding media
- SYGEF® PVDF HP for highest demands and easy qualification



**Your customers depend on you –
You can depend on Georg Fischer**

**Tastes good,
but is it safe and clean?**



References

- Nestlé
- ISE-Delica
- Q. P. Corporation

Your piping systems

- convey corrosive and highly corrosive media
- do not influence the taste of foodstuffs and ingredients whatsoever
- have extremely low tendency for bacterial growth
- are equally suitable for high to low viscosity
- must be cleaned regularly by scraping
- CIP and SIP applications
- are inspected by the FDA or other authorities

Diverse requirements, uncompromising solutions

- Georg Fischer PP-n (Natural) with the unbeatable price/performance ratio
- SYGEF® PVDF Standard for demanding tasks

**Think long-term –
go with a clean solution from Georg Fischer**

The right mix



References

- Bayer
- BASF
- Hoechst
- Solvay
- Ciba

What flows through your piping systems

- pure and ultra pure media
- hot or cold acids
- caustic solutions
- solvents
- media with high potential for stress corrosion ?

Choose from our bead and crevice-free systems

- SYGEF® PVDF HP for high purity
- SYGEF® PVDF Standard for acidic applications
- the Georg Fischer PP-n (Natural) product line for alkalines

**Trust the expertise of Georg Fischer -
We can support you in chemical process
applications**

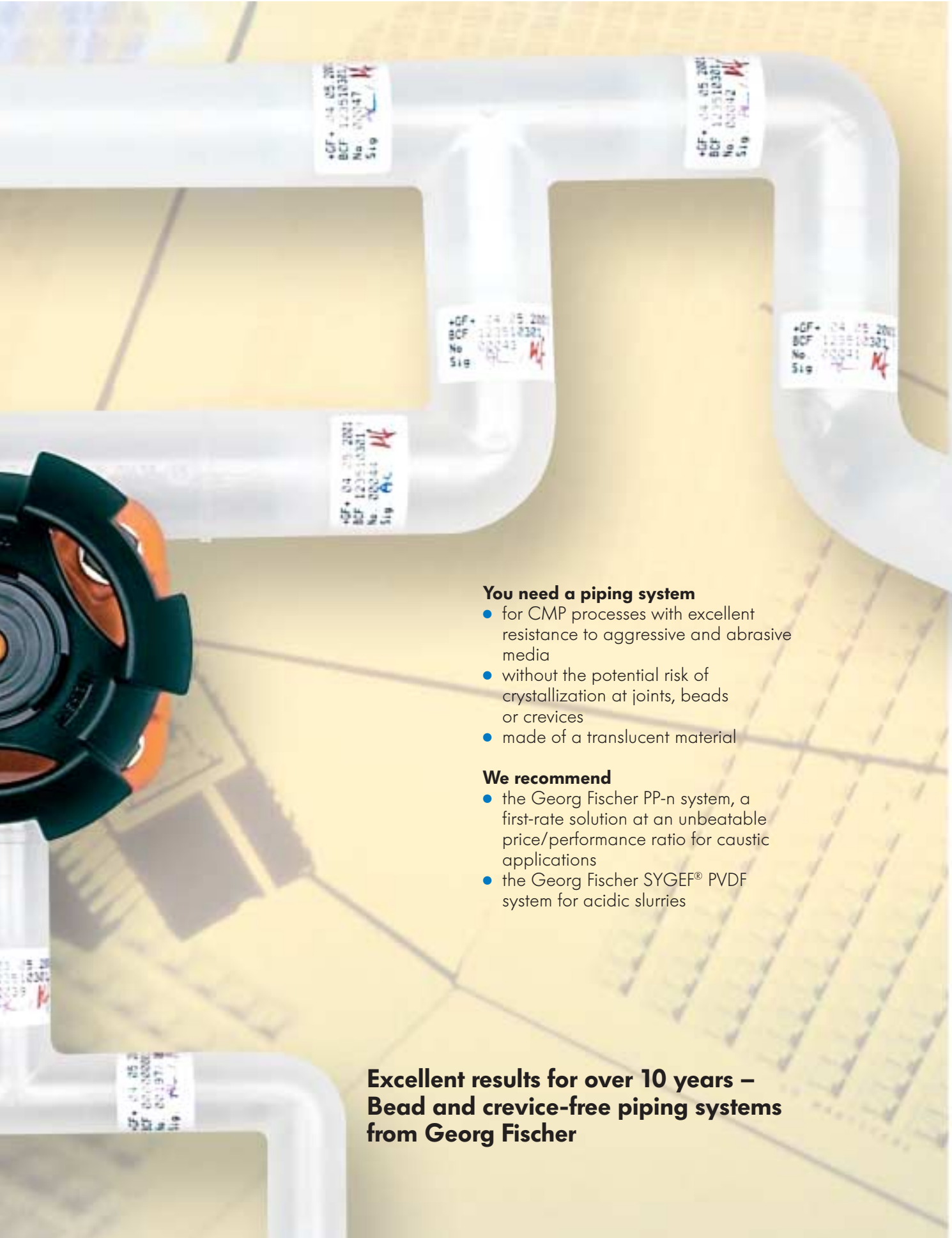


Practice makes perfect



References

- Intel
- AMD
- Motorola
- National Semiconductor
- Infineon
- IBM
- TSMC



You need a piping system

- for CMP processes with excellent resistance to aggressive and abrasive media
- without the potential risk of crystallization at joints, beads or crevices
- made of a translucent material

We recommend

- the Georg Fischer PP-n system, a first-rate solution at an unbeatable price/performance ratio for caustic applications
- the Georg Fischer SYGEF® PVDF system for acidic slurries

**Excellent results for over 10 years –
Bead and crevice-free piping systems
from Georg Fischer**

BCF® Plus

Technical features

Materials

- SYGEF PVDF HP
- SYGEF PVDF Standard
- Georg Fischer PP-n (Natural)

Dimensions

- d20–d63 PN16 (SYGEF PVDF HP)
- d20–d63 PN16 (SYGEF PVDF Standard)
- d20–d63 PN10 (GF PP-n Natural)

Design

- New design
- Compact
- Modular
- Currency independent (110 V – 230 V)

Efficiency

- Over 70 % faster fusion times with site fusion.
- Standard butt fusion fittings for easy and efficient stocking

High reliability

- Use of the time-tested IR Plus® electronic unit. Highest EMI requirements and reliability for on-site operation is guaranteed

Traceability

- Protocol on paper or labels. Can be connected directly to the printer
- Electronic documentation. With the PCMCIA card and software you can document the process without paper
- Integrated circular buffer for 1800 fusion protocols

Service and maintenance

- Automatic maintenance intervals
- Test programs for easy function testing
- Integrated error recognition system

Auxiliary tools

- Improved safety and easier handling thanks to the newly developed auxiliary tools

Excellent in clean rooms

- Shipment box designed as shell principle
- HP-conform machine design and materials selection

Suitable for on-site fusion

- Compatible with mains supply on building sites
- Sturdy packaging
- Access-protected with code
- Transport crate on wheels
- Accessories are completely integrated

Languages

- Eight languages are programmed in the machine: D, GB, F, NL, E, I, DK, S

Fusion quality

- Highest fusion factors
- Minimal internal stress in the fusion zone
- High reproducibility of fusion results because not dependent on operator

Service centers

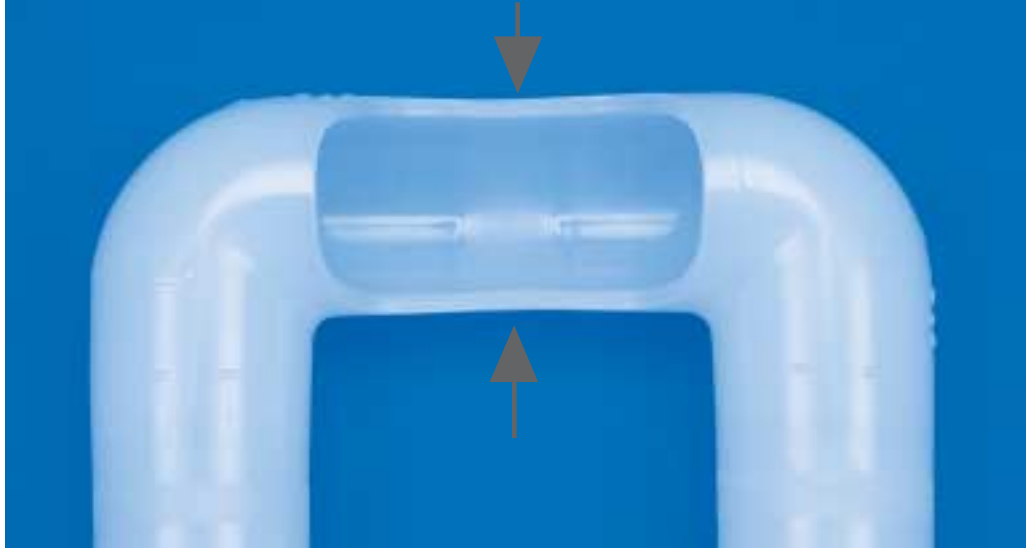
- In Europe, Asia and USA

Rentals

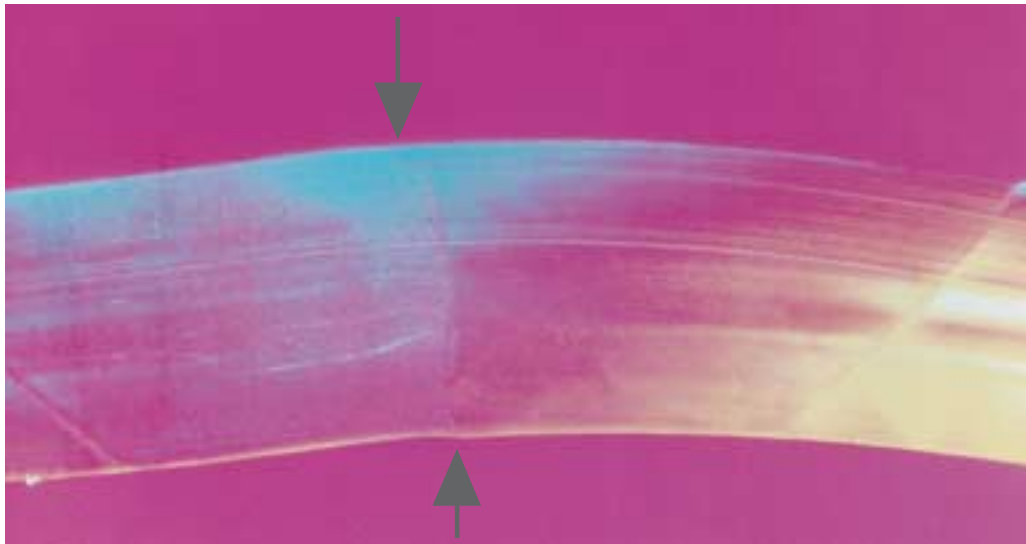
- Rental machines available worldwide
- Logistics service to building site and back
- Newest equipment
- Inspection and maintenance of machine prior to every rental
- The complete Georg Fischer service package is at your disposal for rental machines as well

BCF[®] Plus

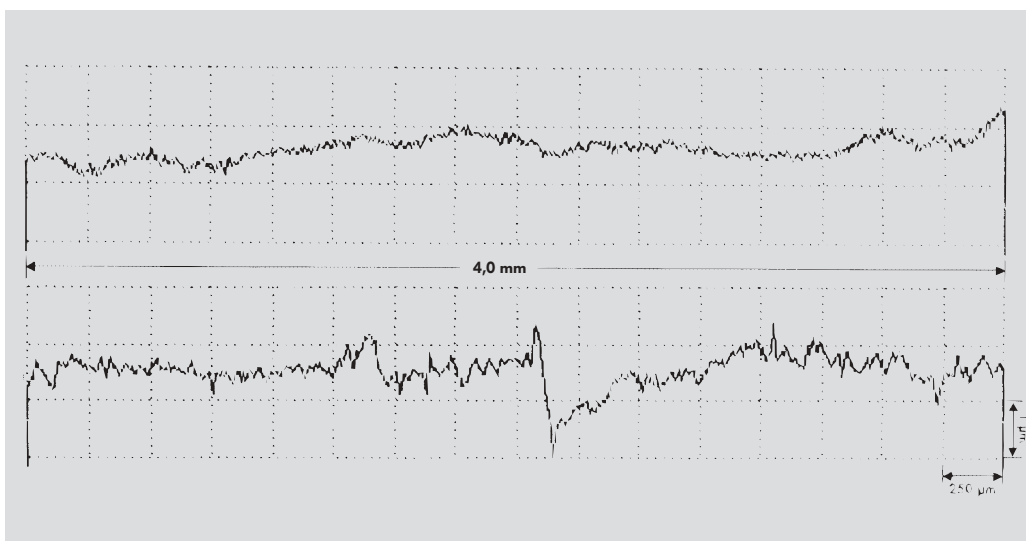
No chance for deposits in your piping system



Cross-section of a BCF[®] Plus fusion zone.



Microtome cross-section of the fusion area in polarized light. The arrow indicates the nearly imperceptible fusion area.



Measurements provide evidence of the high surface. Fitting surface roughness (top) in comparison to the fusion zone (bottom). Fusion zone area and component surface are practically identical.

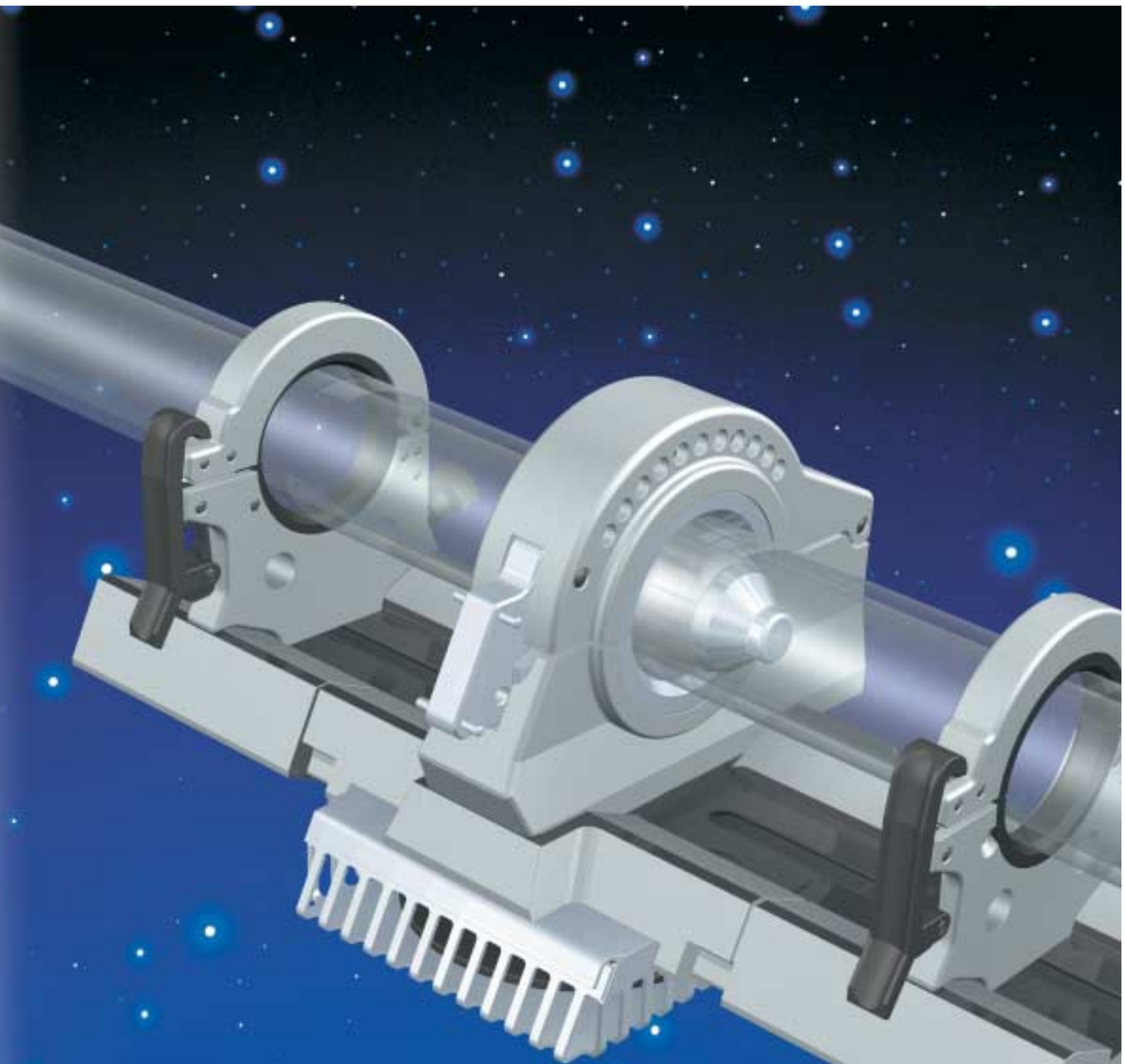
BCF[®] Plus

Evolution of Innovation

Unsurpassed fusion weld quality

- No beads
 - No crevices
 - No transitions
 - No dead legs and no microorganic deposits
 - Very high fusion weld stability
 - Very little stress in the fusion zone, therefore less prone to stress cracking corrosion
- Controlled and secured manufacturing processes thanks to own machine production
 - Worldwide recognized and certified training of quality control personnel and installers

BCF[®] Plus Fusion Machine



BCF[®] Plus Product Range

BCF[®] Plus Fully equipped fusion machine

for the bead and crevice-free fusion of
SYGEF PVDF-HP, SYGEF PVDF Standard and Georg Fischer PP-n (Natural)
Dimensions d20–d63 mm

Code
790 121 002



BCF[®] Plus Basic machine

for the bead and crevice-free fusion of
SYGEF PVDF-HP, SYGEF PVDF Standard and Georg Fischer PP-n (Natural)

Code
790 121 004



BCF[®] Plus Heating Stations

to individually supplement your BCF[®] Plus basic machine

Dimension	Code
d20	790 121 111
d25	790 121 112
d32	790 121 113
d40	790 121 114
d50	790 121 115
d63	790 121 116



Request our complete BCF[®] Plus product range documentation
with many useful accessories.

Experience the outstanding quality of Georg Fischer bead and crevice-free piping systems

Request an original BCF® Plus fusion sample

Just fill in and fax a copy of this page to your Georg Fischer representative

Last name	_____	Address	_____
First name	_____		_____
Title	_____		_____
Function	_____	e-mail	_____
Sector	<input type="radio"/> Pharma/Biotech <input type="radio"/> Medical <input type="radio"/> Foodstuffs <input type="radio"/> Semicon <input type="radio"/> Chemical processes <input type="radio"/> Other		
Remarks	_____		

The technical data are not binding. They are not warranted characteristics and are subject to change. Please consult our General Conditions of Supply.

GEORG FISCHER +GF+

- A** Georg Fischer Rohrleitungssysteme GmbH, Sandgasse 16, 3130 Herzogenburg, Tel. +43(0)2782/8 56 43-0, Fax +43(0)2782/8 51 56, e-mail: office@georgfischer.at
AUS George Fischer Pty. Ltd., 4 Jacks Road, South Oakleigh, Victoria 3167, Tel. +61(0)3/95 63 88 99, Fax +61(0)3/95 63 89 66, e-mail: sales@georgfischer.com.au
B/L Georg Fischer NV/SA, Digue du Canal 109-111 – Vaartdijk 109-111, 1070 Bruxelles/Brüssel, Tel. +32(0)2/556 40 20, Fax +32(0)2/524 34 26
e-mail: info.be@be.piping.georgfischer.com
- BR** George Fischer Ltda, Av. das Nações Unidas 21689, CEP 04795-100 São Paulo, SP, Brasil, Tel. +55(0)11/247 13 11, Fax +55(0)11/247 60 09
CH Georg Fischer Rohrleitungssysteme (Schweiz) AG, Amsler-Laffon-Strasse 1, Postfach, 8201 Schaffhausen, Tel. +41(0)52/631 30 26, Fax +41(0)52/631 28 97
e-mail: info@rohrleitungssysteme.georgfischer.ch
- CHINA** Georg Fischer Piping Systems Ltd. Shanghai, No. 218 Kang Qiao Dong Rd., Shanghai 201319, Tel. +86(0)21/58 13 33 33, Fax +86(0)21/58 13 33 66
e-mail: gfsro@public.shanghai.cngb.com
Georg Fischer Piping Systems (Trading) Ltd. Shanghai, No 516 Fute Bei Road, Waigaoqiao Free Trade Zone, 200131 Pudong, Shanghai
Tel. +86(0)21/5868 0278, Fax +86(0)21/5868 0264, e-mail: gfttrade@sh.cngb.com
- D** Georg Fischer GmbH, Daimlerstraße 6, 73095 Albershausen, Tel. +49(0)7161/302-0, Fax +49(0)7161/302 259
e-mail: info@georgfischer.de, Internet: http://www.rls.georgfischer.de
- DK/IS** Georg Fischer DEKA GmbH, Postfach 1145, 35228 Dautphetal, Tel. +49(0)6468/91 51-0, Fax +49(0)6468/91 52 21/22, e-mail: info@dekapipe.de
E Georg Fischer A/S, Klintehøj Vænge 17, 3460 Birkerød, Tel. +45 45 81 19 75, Fax +45 45 81 16 22
Georg Fischer S.A., Sistemas de tuberías para la industria, Alcalá, 85, 2ª, 28009 Madrid, Tel. +34(0)91/781 98 90, Fax +34(0)91/426 08 23
e-mail: info@georgfischer.es
- F** George Fischer S.A., 105-113, rue Charles Michels, 93208 Saint-Denis Cedex 1, Tél. +33(0)1/49 22 13 41, Fax +33(0)1/49 22 13 00, e-mail: info@georgfischer.fr
GB George Fischer Sales Limited, Paradise Way, Coventry, CV2 2ST, Tel. +44(0)2476/535 535, Fax +44(0)2476/530 450
e-mail: info@georgfischer.co.uk, Internet: http://www.georgfischer.co.uk
- GR** Georg Fischer S.p.A., Athens Branch, 101, 3rd September Str., 10434 Athen, Tel. +30(0)11/882 0491, Fax +30(0)11/881 0291, e-mail: dderiv_piping_gf@oneway.gr
I Georg Fischer S.p.A., Via Sondrio 1, 20063 Cernusco S/N (MI), Tel. +3902/92 18 61, Fax +3902/92 14 07 85, e-mail: office@piping.georgfischer.it
ID Georg Fischer Representative Office, c/o Wisma Aria, 3rd Floor, Jl. H.O.S. Cokroaminoto 81, Jakarta 10310, Indonesia, Tel. +62(0)21/391 48 62, Fax +62(0)21/391 48 63
IND Georg Fischer Piping Systems Ltd, India Branch Office, Solitaire Corporate Park, 532, Building No. 5, 3rd Floor, Chakala, Ghatkopar Link Road, Andheri (E)
400 093 Mumbai, Tel. +91(0)22/820 2362, Fax +91 22-820 2462, e-mail: wpfunder@vsnl.net
- J** Georg Fischer Ltd, 2-47, Shikitsuhigashi 1-chome, Naniwa-ku, 556-8601 Osaka, Tel. +81(0)6/664 82 59 4, Fax +81 6-664 82 56 5, e-mail: kgf-yosi@kubota.co.jp
N Georg Fischer AS, Rudsletta 97, 1351 Rud, Tel. +47(0)671 717 40, Fax +47(0)671 392 92
NL Georg Fischer N.V., Lange Veenteweg 19, Postbus 35, 8160 AA Epe, Tel. +31(0)578/678222, Fax +31(0)578/621768
e-mail: info.vgnl@nl.piping.georgfischer.com, Internet: http://www.georgfischer.nl
- PL** Georg Fischer Sp. z o.o., ul. Radiowa 1A, 01-485 Warszawa, Tel. +48(0)22/638 91 39, Fax +48(0)22/638 00 94
RO Georg Fischer Rohrleitungssysteme AG, Rep. Office Romania, 11 Barbu Delavrancea, 70000 Bucharest - Sector 1, Tel. +40(0)11/222 91 36, Fax +40(0)11/222 91 77
e-mail: office@georgfischer.ro
- RU** Georg Fischer Piping Systems Ltd, Moscow Representative Office, Sheremetievskaya ul., 47, 127521 Moscow, Tel. +7 095/219 9604, Fax +7 095/232 3625
e-mail: lazer@orcu.ru
- S/FIN** Georg Fischer AB, Box 113, 12523 Älvsjö-Stockholm, Tel. +46(0)8/506 77 500, Fax +46(0)8/749 23 70, e-mail: info@georgfischer.se, Internet: http://www.georgfischer.se
SGP George Fischer Pte. Ltd., 15 Kaki Bukit Road 2, KB Warehouse Complex, 417 845 Singapore/Singapore, Tel. +65(0)7/47 06 11, Fax +65(0)7/47 05 77
e-mail: info@georgfischer.com.sg
- USA** George Fischer Inc., 2882 Dow Avenue, Tustin, CA 92780-7285, Tel. +1(0)714/731 88 00, Toll Free 800/854 40 90, Fax +1(0)714/731 46 88
e-mail: info@us.piping.georgfischer.com, Internet: http://www.us.piping.georgfischer.com
- Export** Georg Fischer Rohrleitungssysteme AG, Ebnatstrasse 111, Postfach, CH-8201 Schaffhausen, Tel. +41(0)52/631 11 11, Fax +41(0)52/631 28 93/631 28 58
e-mail: export@piping.georgfischer.com, Internet: http://www.piping.georgfischer.com